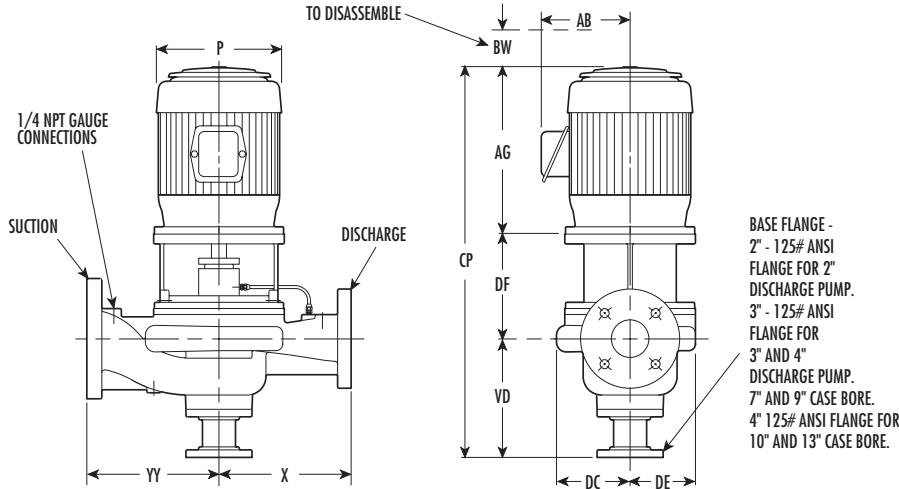


# AURORA MODEL 383 PUMPS

## INLINE FIRE PUMP



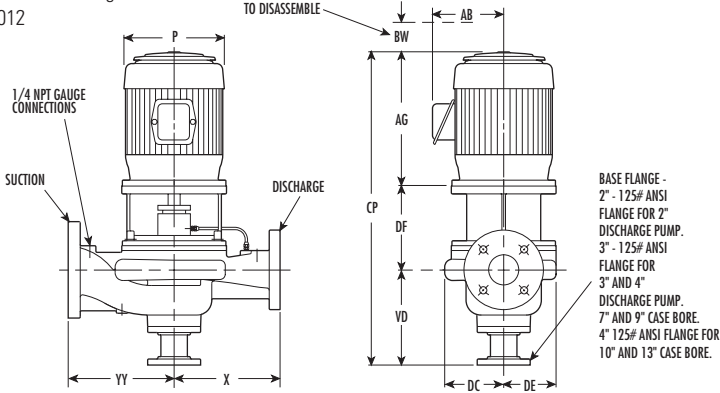
**NOTES:**

1. All dimensions in inches (mm).
2. Dimensions may vary  $\pm 1/4$ .
3. Not for construction purposes unless certified.
4. Suction and discharge flanges are 125# ANSI as standard. 250# suction and discharge or 125# suction/250# discharge available as option for 9 inch and 10 inch case bore pumps only.

| Pump Model | Pump Size<br>Disch. x Suct. x Case Bore | GPM Pump Rating    | X            | YY           | BW (Min.)     | VD             | DF            |                     | DC            | DE            | Pump Wt. Lbs. (Kg) Approx. |                     |                     |
|------------|---|--------------------|--------------|--------------|---------------|----------------|---------------|---------------------|---------------|---------------|----------------------------|---------------------|---------------------|
|            |   |                    |              |              |               |                | 184JP         | 213JP through 365JP |               |               | 184JP                      | 213JP through 256JP | 284JP through 365JP |
| 2-383-9C   | 2 x 2 x 9                               | 50, 100            | 9.5<br>(241) | 9.5<br>(241) | 4.5<br>(114)  | 9.25<br>(235)  | 7.81<br>(198) | 8.63<br>(219)       | 5.75<br>(146) | 6.25<br>(159) | 117<br>(53.1)              | 130<br>(59)         | -                   |
| 3-383-7A   | 3 x 3 x 7                               | 100, 150, 200      | 9.5<br>(241) | 9.5<br>(241) | 4.5<br>(114)  | 10.25<br>(260) | 8.0<br>(203)  | 8.81<br>(224)       | 5.19<br>(132) | 6.13<br>(156) | 140<br>(63.5)              | 153<br>(69.4)       | 159<br>(72.1)       |
| 3-383-7B   | 3 x 3 x 7                               | 250                | 9.5<br>(241) | 9.5<br>(241) | 4.5<br>(114)  | 10.25<br>(260) | -             | 8.81<br>(224)       | 5.19<br>(132) | 6.13<br>(156) | -                          | 153<br>(69.4)       | 159<br>(72.1)       |
| 3-383-7C   | 3 x 4 x 7                               | 250, 300           | 11<br>(279)  | 11<br>(279)  | 3.75<br>(95)  | 10.75<br>(273) | -             | 9.13<br>(232)       | 5.13<br>(130) | 6.38<br>(162) | -                          | 130<br>(59)         | -                   |
| 3-383-9    | 3 x 4 x 9                               | 250                | 11<br>(279)  | 11<br>(279)  | 4.5<br>(114)  | 9.88<br>(251)  | 8.25<br>(210) | 8.88<br>(225)       | 5.75<br>(146) | 6.5<br>(165)  | 178<br>(80.7)              | 191<br>(86.6)       | 196<br>(88.9)       |
| 3-383-9A   | 3 x 3 x 9                               | 150, 200           | 11<br>(279)  | 11<br>(279)  | 4.5<br>(114)  | 10.25<br>(260) | 7.94<br>(202) | 8.75<br>(222)       | 6<br>(152)    | 6.75<br>(171) | 152<br>(68.9)              | 165<br>(74.8)       | 170<br>(77.1)       |
| 3-383-9B   | 3 x 4 x 9                               | 300                | 11<br>(279)  | 11<br>(279)  | 4.25<br>(108) | 10.88<br>(276) | -             | 9.25<br>(235)       | 5.75<br>(146) | 6.63<br>(168) | -                          | -                   | 150<br>(68)         |
| 4-383-7B   | 4 x 4 x 7                               | 300, 400, 450, 500 | 11<br>(279)  | 11<br>(279)  | 4.5<br>(114)  | 11.25<br>(286) | -             | 9.31<br>(237)       | 5.56<br>(141) | 7.31<br>(186) | -                          | 191<br>(86.6)       | 197<br>(89.4)       |
| 4-383-7C   | 4 x 4 x 7                               | 400, 450, 500      | 11<br>(279)  | 11<br>(279)  | 4.5<br>(114)  | 11.25<br>(286) | -             | 9.63<br>(244)       | 5.5<br>(140)  | 7.38<br>(187) | -                          | -                   | 175<br>(79.4)       |

| ODP Frame | AG Approx.  | P              | AB Approx.     | Motor Wt. Lbs. (Kg) | CP             |                       |                |                 |                |                |                 |                |
|-----------|-------------|----------------|----------------|---------------------|----------------|-----------------------|----------------|-----------------|----------------|----------------|-----------------|----------------|
|           |             |                |                |                     | 2-383-9C       | 3-383-7A<br>3-383-7B* | 3-383-7C       | 3-383-9         | 3-383-9A       | 3-383-9B       | 4-383-7B        | 4-383-7C       |
| 184JP     | 15<br>(381) | 10.38<br>(264) | 7<br>(178)     | 95<br>(43.1)        | 32.13<br>(816) | 28.63<br>(727)        | -              | 33.13<br>(841)  | 33.25<br>(845) | -              | -               | -              |
| 213JP     | 17<br>(432) | 12.25<br>(311) | 7.63<br>(194)  | 135<br>(61.2)       | 35<br>(889)    | 36<br>(914)           | -              | 35.75<br>(908)  | 36<br>(914)    | -              | -               | -              |
| 215JP     | 17<br>(432) | 12.25<br>(311) | 7.63<br>(194)  | 155<br>(70.3)       | 35<br>(889)    | 36<br>(914)           | -              | 35.75<br>(908)  | 36<br>(914)    | -              | 37.75<br>(959)  | -              |
| 254JP     | 21<br>(533) | 13<br>(330)    | 8.88<br>(225)  | 195<br>(88.5)       | 39<br>(991)    | 40<br>(1016)          | 37.88<br>(962) | 39.75<br>(1010) | 40<br>(1016)   | -              | 41.63<br>(1057) | -              |
| 256JP     | 21<br>(533) | 13<br>(330)    | 9.25<br>(235)  | 256<br>(116.1)      | 39<br>(991)    | -                     | 37.88<br>(962) | 39.75<br>(1010) | 40<br>(1016)   | -              | 41.63<br>(1057) | -              |
| 284JP     | 22<br>(559) | 15.75<br>(400) | 11.38<br>(289) | 271<br>(122.9)      | -              | -                     | -              | 40.75<br>(1035) | 41<br>(1041)   | 38.13<br>(968) | 42.63<br>(1083) | 38.88<br>(987) |
| 286JP     | 22<br>(559) | 15.75<br>(400) | 11.38<br>(289) | 320<br>(145.1)      | -              | -                     | -              | 40.75<br>(1035) | 41<br>(1041)   | 38.13<br>(968) | 42.63<br>(1083) | 38.88<br>(987) |
| 324JP     | 24<br>(610) | 17.75<br>(451) | 13.25<br>(337) | 420<br>(190.5)      | -              | -                     | -              | -               | 43<br>(1092)   | -              | -               | -              |

\* Not available with 184JP frame.



**NOTES:**

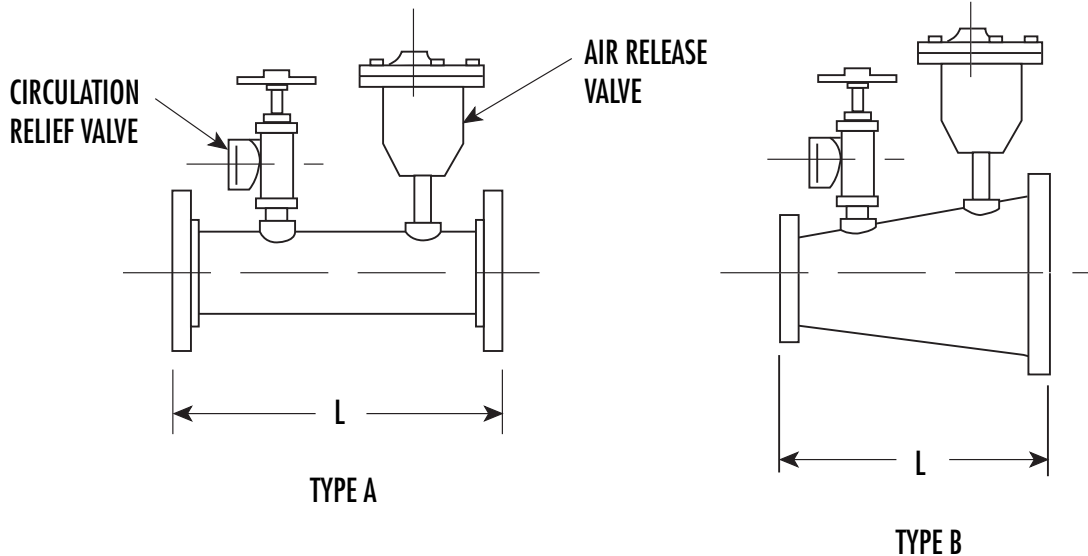
1. All dimensions in inches (mm).
2. Dimensions may vary  $\pm 1/4$ .
3. Not for construction purposes unless certified.
4. Suction and discharge flanges are 125# ANSI as standard. 250# suction and discharge or 125# suction/250# discharge available as option for 9 inch and 10 inch case bore pumps only.

| Pump Model | Pump Size<br>Disch x<br>Suct x<br>Case Bore | GPM<br>Pump<br>Rating | X             | YY            | BW<br>(Min.)   | VD             | DF            |                           |                           |                               | DC             | DE             | Pump Wt. Lbs. (Kg) Approx. |                           |                           |                           |                               |
|------------|---|-----------------------|---------------|---------------|----------------|----------------|---------------|---------------------------|---------------------------|-------------------------------|----------------|----------------|----------------------------|---------------------------|---------------------------|---------------------------|-------------------------------|
|            |   |                       |               |               |                |                | 184JP         | 213JP<br>through<br>365JP | 364HP<br>through<br>445HP | 405 TCZ<br>through<br>445 TCZ |                |                | 184JP                      | 213JP<br>through<br>256JP | 284JP<br>through<br>365JP | 364HP<br>through<br>445HP | 405 TCZ<br>through<br>445 TCZ |
| 4-383-9    | 4 x 5 x 9                                   | 300, 400, 450         | 11<br>(279)   | 11<br>(279)   | 4.5<br>(114)   | 11<br>(279)    | 8.38<br>(213) | 9<br>(229)                | -                         | -                             | 6<br>(152)     | 7.13<br>(181)  | 214<br>(97.3)              | 227<br>(103)              | 232<br>(105.2)            | -                         | -                             |
| 4-383-9B   | 4 x 5 x 9                                   | 300, 400, 450, 500    | 11<br>(279)   | 11<br>(279)   | 4.5<br>(114)   | 11<br>(279)    | 8.38<br>(213) | 9<br>(229)                | -                         | -                             | 6<br>(152)     | 7.13<br>(181)  | 214<br>(97.3)              | 227<br>(103)              | 232<br>(105.2)            | -                         | -                             |
| 4-383-9C   | 4 x 5 x 9                                   | 500                   | 11<br>(279)   | 11<br>(279)   | 4.5<br>(114)   | 11<br>(279)    | -             | 9<br>(229)                | -                         | -                             | 6<br>(152)     | 7.13<br>(181)  | -                          | -                         | 232<br>(105.2)            | -                         | -                             |
| 4-383-10   | 4 x 6 x 10                                  | 400, 450, 500         | 14<br>(356)   | 14<br>(356)   | 5<br>(127)     | 13.06<br>(332) | -             | 9.06<br>(230)             | -                         | -                             | 7<br>(178)     | 8.5<br>(216)   | -                          | -                         | 351<br>(159.2)            | -                         | -                             |
| 4-383-10B  | 4 x 6 x 10                                  | 750                   | 14<br>(356)   | 14<br>(356)   | 5<br>(127)     | 13.06<br>(332) | -             | 9.06<br>(230)             | -                         | -                             | 7<br>(178)     | 8.5<br>(216)   | -                          | -                         | 351<br>(159.2)            | -                         | -                             |
| 4-383-13   | 4 x 6 x 13                                  | 750                   | 16<br>(406)   | 16<br>(406)   | 5.38<br>(137)  | 13.81<br>(351) | -             | 9.19<br>(233)             | -                         | -                             | 9<br>(229)     | 10.5<br>(267)  | -                          | -                         | 421<br>(191)              | -                         | -                             |
| 8-383-15   | 8 x 8 x 15                                  | 1000, 1250, 1500      | 22.5<br>(572) | 22.5<br>(572) | 12.91<br>(328) | 12.13<br>(308) | -             | -                         | 19<br>(483)               | -                             | 10.38<br>(263) | 12.94<br>(329) | -                          | -                         | -                         | 812<br>(368)              | -                             |
| 8-383-18   | 8 x 8 x 18                                  | 1000, 1250            | 25<br>(635)   | 22.5<br>(572) | 8.06<br>(205)  | 18.88<br>(479) | -             | -                         | -                         | 10.75<br>(273)                | 11.75<br>(298) | 14.38<br>(365) | -                          | -                         | -                         | -                         | 1020<br>(463)                 |
| 8-383-18A  | 8 x 8 x 18                                  | 1500                  | 25<br>(635)   | 22.5<br>(572) | 8.06<br>(205)  | 18.88<br>(479) | -             | -                         | -                         | 10.75<br>(273)                | 11.75<br>(298) | 14.38<br>(365) | -                          | -                         | -                         | -                         | 1020<br>(463)                 |

| ODP<br>Frame | AG<br>Approx.  | P              | AB<br>Approx.  | Motor Wt.<br>Lbs. (Kg) | CP                     |                       |                 |                 |                       |
|--------------|----------------|----------------|----------------|------------------------|------------------------|-----------------------|-----------------|-----------------|-----------------------|
|              |                |                |                |                        | 4-383-9<br>4-383-9B&C* | 4-383-10<br>4-383-10B | 4-383-13        | 8-383-15        | 8-383-18<br>8-383-18A |
| 184JP        | 15<br>(381)    | 10.38<br>(264) | 7<br>(178)     | 95<br>(43)             | 34.38<br>(873)         | -                     | -               | -               | -                     |
| 213JP        | 17<br>(432)    | 12.25<br>(311) | 7.63<br>(194)  | 135<br>(61)            | 37<br>(940)            | -                     | -               | -               | -                     |
| 215JP        | 17<br>(432)    | 12.25<br>(311) | 7.63<br>(194)  | 155<br>(70)            | 37<br>(940)            | -                     | -               | -               | -                     |
| 254JP        | 21<br>(533)    | 13<br>(330)    | 8.88<br>(225)  | 195<br>(89)            | 41<br>(1041)           | -                     | -               | -               | -                     |
| 256JP        | 21<br>(533)    | 13<br>(330)    | 9.25<br>(235)  | 256<br>(116)           | 41<br>(1041)           | -                     | -               | -               | -                     |
| 284JP        | 22<br>(559)    | 15.75<br>(400) | 11.38<br>(289) | 271<br>(123)           | 42<br>(1067)           | -                     | -               | -               | -                     |
| 286JP        | 22<br>(559)    | 15.75<br>(400) | 11.38<br>(289) | 320<br>(145)           | 42<br>(1067)           | 44.13<br>(1121)       | -               | -               | -                     |
| 324JP        | 24<br>(610)    | 17.75<br>(451) | 13.25<br>(337) | 420<br>(191)           | 44<br>(1118)           | 46.13<br>(1172)       | 46.25<br>(1175) | -               | -                     |
| 326JP        | 24<br>(610)    | 17.75<br>(451) | 13.25<br>(337) | 460<br>(209)           | 44<br>(1118)           | 46.13<br>(1172)       | 46.25<br>(1175) | -               | -                     |
| 364JP        | 26<br>(660)    | 20<br>(508)    | 16<br>(406)    | 600<br>(272)           | -                      | 48.13<br>(1222)       | 48.25<br>(1226) | -               | -                     |
| 365JP        | 26<br>(660)    | 20<br>(508)    | 16<br>(406)    | 750<br>(340)           | -                      | 48.13<br>(1222)       | 48.25<br>(1226) | -               | -                     |
| 364HP        | 25<br>(635)    | 21<br>(534)    | 16<br>(406)    | 870<br>(395)           | -                      | -                     | -               | 56.13<br>(1426) | -                     |
| 365HP        | 25<br>(635)    | 21<br>(534)    | 16<br>(406)    | 940<br>(426)           | -                      | -                     | -               | 56.13<br>(1426) | -                     |
| 404HP        | 28<br>(711)    | 22<br>(559)    | 16.5<br>(419)  | 1091<br>(495)          | -                      | -                     | -               | 59.13<br>(1502) | -                     |
| 405HP        | 28<br>(711)    | 22<br>(559)    | 16.5<br>(419)  | 1273<br>(577)          | -                      | -                     | -               | 59.13<br>(1502) | -                     |
| 444HP        | 32<br>(813)    | 24<br>(610)    | 19.13<br>(486) | 1290<br>(585)          | -                      | -                     | -               | 63.13<br>(1604) | -                     |
| 445HP        | 32<br>(813)    | 24<br>(610)    | 19.13<br>(486) | 1440<br>(653)          | -                      | -                     | -               | 63.13<br>(1604) | -                     |
| 405 TCZ      | 31.75<br>(806) | 20.38<br>(518) | 16.5<br>(419)  | 1387<br>(629)          | -                      | -                     | -               | -               | 61<br>(1549)          |
| 444 TCZ      | 34.38<br>(873) | 23.5<br>(597)  | 19.13<br>(486) | 1409<br>(639)          | -                      | -                     | -               | -               | 63.25<br>(1607)       |
| 445 TCZ      | 34.38<br>(873) | 23.5<br>(597)  | 19.13<br>(486) | 1496<br>(679)          | -                      | -                     | -               | -               | 63.25<br>(1607)       |

\* Not available with 184JP frame.

## DISCHARGE FITTINGS FOR INSTALLATION OF VALVES



| Pump Size      | Flow Rating | Fitting Type | Fitting Size | Discharge Fitting Only |       |           |              |        |           |
|----------------|-------------|--------------|--------------|------------------------|-------|-----------|--------------|--------|-----------|
|                |             |              |              | 150# Flanges           |       |           | 300# Flanges |        |           |
|                |             |              |              | Opt. No.               | L     | Wt. (Lb.) | Opt. No.     | L      | Wt. (Lb.) |
| 3 x 3 x 7A     | 100         | A            | 3 x 3        | 74BA                   | 14    | 25        | N/A          | N/A    | N/A       |
| 3 x 3 x 7B     | 150         |              |              |                        |       |           |              |        |           |
| 3 x 3 x 7C     | 200         |              |              |                        |       |           |              |        |           |
| 3 x 4 x 7C     | 250         | B            | 3 x 4        | 74BP                   | 10    | 32        | N/A          | N/A    | N/A       |
| 3 x 4 x 7C     | 300         |              |              |                        |       |           |              |        |           |
| 3 x 4 x 9B     | 300         |              |              |                        |       |           |              |        |           |
| 4 x 4 x 7B     | 300         | A            | 4 x 4        | 74BB                   | 16    | 39        | N/A          | N/A    | N/A       |
| 4 x 4 x 7C     | 400         |              |              |                        |       |           |              |        |           |
| 4 x 4 x 7B     | 450         |              |              |                        |       |           |              |        |           |
| 4 x 4 x 7C     | 500         | B            | 4 x 5        | 74BC                   | 11.75 | 42        | N/A          | N/A    | N/A       |
| 4 x 4 x 7B     | 450         |              |              |                        |       |           |              |        |           |
| 4 x 4 x 7C     | 500         |              |              |                        |       |           |              |        |           |
| 2 x 2 x 9C     | 50          | A            | 2 x 2        | 74BD                   | 14    | 14        | 74BJ         | 14     | 14        |
| 3 x 3 x 9A     | 100         | A            | 3 x 3        | 74BA                   | 14    | 25        | 74BK         | 14     | 35        |
|                | 150         |              |              |                        |       |           |              |        |           |
| 3 x 3 x 9      | 250         |              |              |                        |       |           |              |        |           |
| 4 x 4 x 9      | 300         | A            | 4 x 4        | 74BB                   | 16    | 39        | 74BL         | 16     | 57        |
| 4 x 4 x 9B     | 400         |              |              |                        |       |           |              |        |           |
| 4 x 6 x 10     | 400         |              |              |                        |       |           |              |        |           |
| 4 x 6 x 10     | 450         | A            | 4 x 4        | 74BB                   | 16    | 39        | 74BL         | 16     | 57        |
| 4 x 5 x 9B     | 500         | B            | 4 x 5        | 74BC                   | 11.75 | 45        | 74BM         | 12.5   | 65        |
| 4 x 5 x 9C     |             |              |              |                        |       |           |              |        |           |
| 4 x 6 x 10     |             |              |              |                        |       |           |              |        |           |
| 4 x 6 x 10B    | 750         | B            | 4 x 6        | 74BH                   | 12.25 | 52        | 74BN         | 13     | 82        |
| 4 x 6 x 13     | 750         | B            | 4 x 6        | 74BH                   | 12.25 | 52        | 74BN         | 18.725 | 82        |
| 8 x 8 x 18/18A | 1000        | N/A          | N/A          | N/A                    | N/A   | N/A       | N/A          | N/A    | N/A       |
|                | 1250        |              |              |                        |       |           |              |        |           |
|                | 1500        |              |              |                        |       |           |              |        |           |

**NOTES:**

- All dimensions in inches and may vary by 3/8".
  - Flanges are ANSI Class 150 or Class 300 steel.
- N/A – Not Applicable

**THIS PAGE LEFT INTENTIONALLY BLANK**