

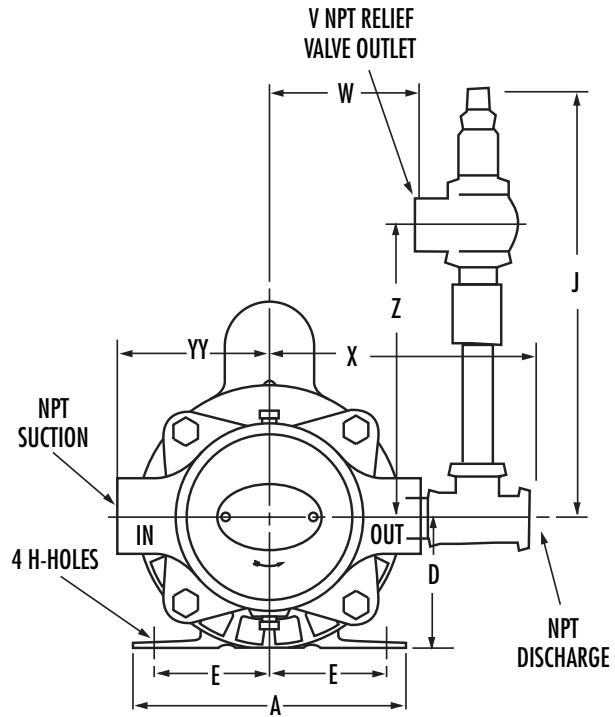
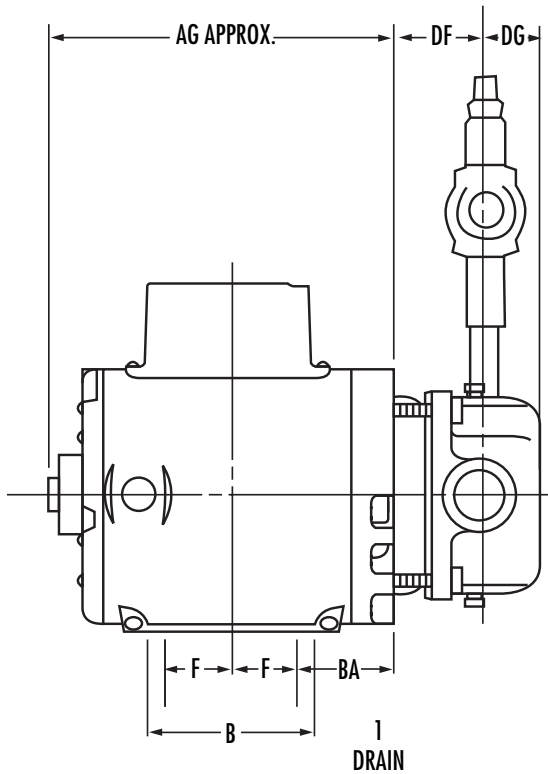
MODEL 933				
PUMP SIZE	D03	E03	F03	G03
RELIEF VALVE SIZE	1/2 (13)	1/2 (13)	1/2 (13)	1/2 (13)

**NOTES**

1. All dimensions are in inches (mm).
2. Dimensions may vary  $\pm 1/4"$  (6).
3. Not for construction purposes unless certified.
4. Capacitor when furnished normally appears on top of motor.  
Dimensions are not specified as they vary with each motor manufacturer.
5. Motor frame 56

Date July 2013

Supersedes Section 932 Page 202  
Dated October 2005



MODEL	SUCTION	DISCH.	DF	DG
934	1	1	2 (51)	1-11/16 (43)
935	2	1-1/2	2-1/4 (57)	2-1/4 (57)

HP	RPM	FRAME
1-1/2 to 2	3500	56
1-1/2 to 2	1750	56
3	3500	145T
5	3500	182T
7-1/2	3500	184T
10	3500	213T

MODEL	V	J	YY	W	X	Z
934	1/2 (13)	10-15/16 (278)	3-3/4 (95)	3-3/16 (81)	6-3/8 (162)	7-3/4 (197)
	1-1/4 (32)	12-1/8 (308)		3-1/4 (83)	7-1/8 (181)	7-1/2 (191)
935	1/2 (13)	11-1/4 (286)	4-1/2 (114)	4-5/16 (110)	7-5/8 (194)	8-1/16 (205)
	3/4 (19)	13-3/16 (335)		4-7/16 (113)	7-7/8 (200)	10 (254)
	1-1/4 (32)	12-3/8 (314)		4-7/16 (113)	8-1/2 (216)	7-3/4 (197)

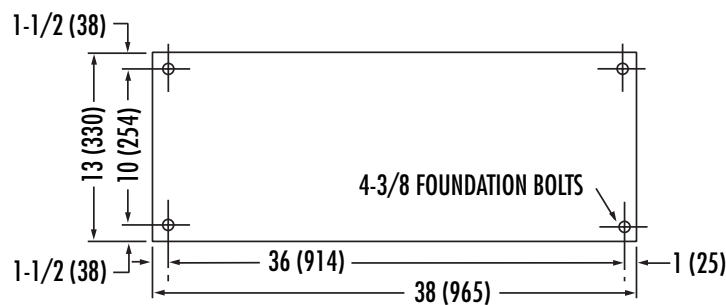
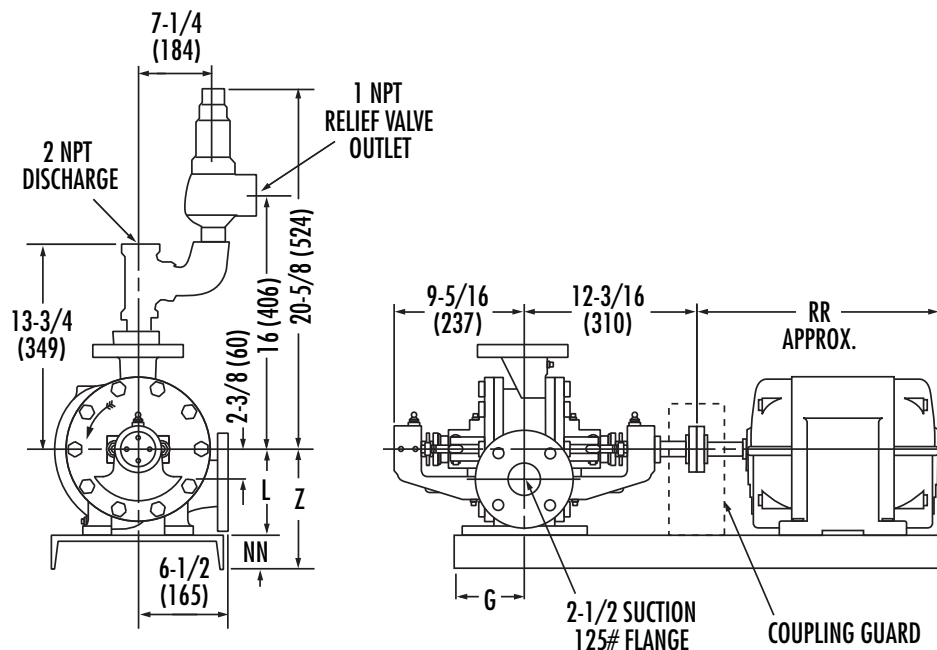
GPM	PSI	RELIEF VALVE SIZE
2.5	45 - 100	1/2
	135 - 215	1/2
5	45 - 130	1/2
	135 - 210	1/2
7.5	45 - 130	1/2
	135 - 210	1/2
10	45 - 130	1/2
	135 - 205	1/2
15	45 - 130	1/2
	135 - 170	1/2
20	70 - 130	1/2
	135 - 155	1/2
25	80 - 130	3/4
	135	3/4
30	105 - 155	3/4
35	105 - 155	3/4
40	105 - 155	1
45	105 - 155	1

FRAME	A	B	D	E	F	H	AG	BA
56	6-3/4 (171)	4 (102)	3-1/2 (89)	2-7/16 (43)	1-1/2 (38)	11/32 SLOT (8)	11 (279)	2-9/16 (65)
145T	7 (178)	6 (152)	3-1/2 (89)	2-3/4 (57)	2-1/2 (64)	11/32 SLOT (8)	11 (279)	2-7/8 (73)
182T	9 (229)	6-1/2 (165)	4-1/4 (108)	3-3/4 (95)	2-1/4 (57)	13/32 (10)	11 (279)	3-5/8 (92)
184T	9 (229)	7-1/2 (191)	4-1/2 (114)	3-3/4 (95)	2-3/4 (70)	13/32 (10)	12 (305)	3-5/8 (92)
213T	9-1/2 (241)	8 (203)	5-1/4 (133)	4-1/4 (108)	2-3/4 (70)	7/16 (11)	14 (356)	4-1/2 (114)

PUMP	MODEL	935						
	SIZE	D04	F05	G05	H05	I05	J05	K05
	934							

**NOTES**

1. All dimensions are in inches (mm).
2. Dimensions may vary ± 1/4" (6).
3. Not for construction purposes unless certified.
4. Capacitor when furnished normally appears on top of motor. Dimensions are not specified as they vary with each motor manufacturer.



PUMP MODEL	E6T	F6T
RELIEF VALVE SIZE	1	1

HP	RPM	FRAME	G	L	Z	NN	RR
10	1750	215T	6-1/2 (165)	6-1/4 (159)	10-1/4 (260)	4 (102)	18 (457)
15	1750	254T	5 (127)	6-1/4 (159)	10-1/4 (260)	4 (102)	21 (533)

**NOTES**

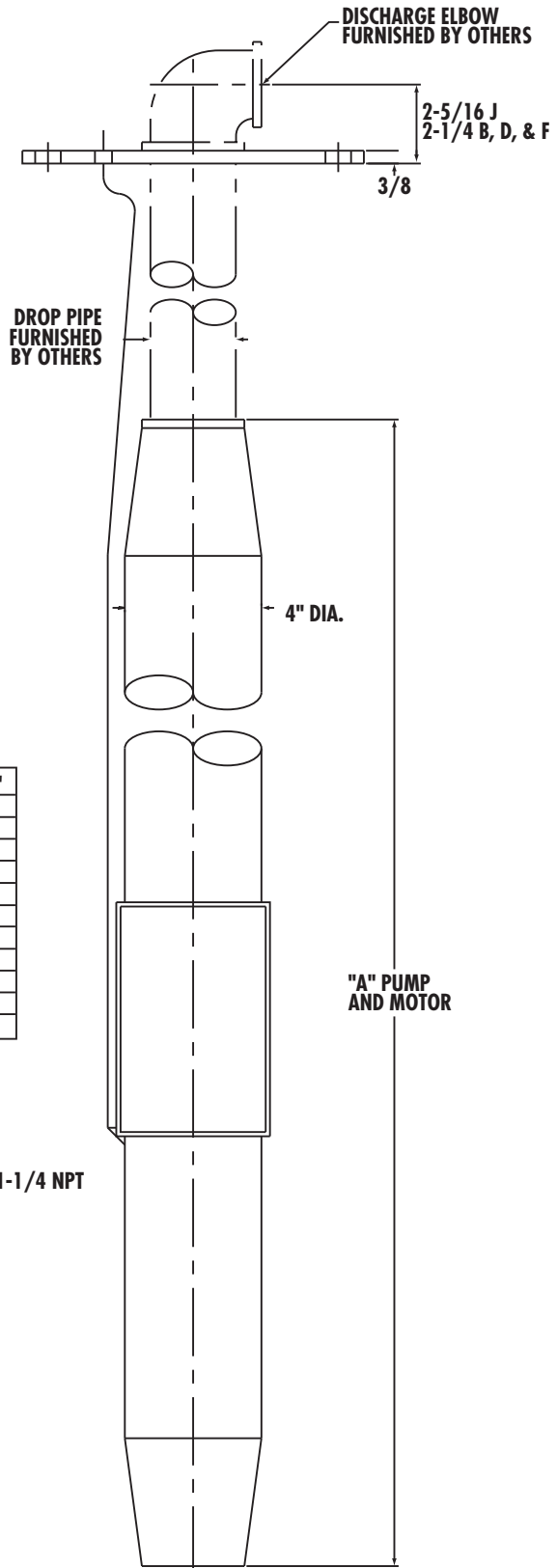
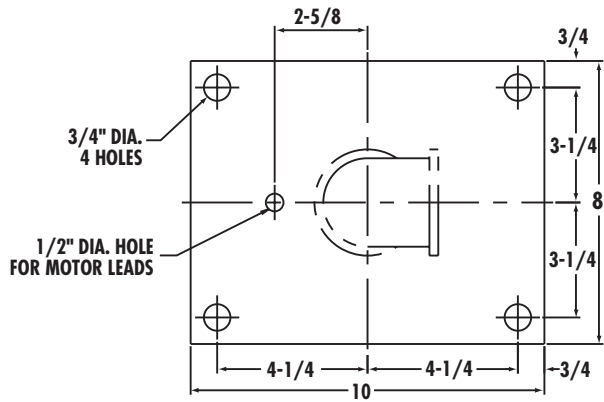
1. All dimensions are in inches (mm).
  2. Dimensions may vary  $\pm 1/4"$  (6).
  3. Not for construction purposes unless certified.
  4. Coupling gap may vary  $1/8"$  to  $1"$ .
  5. Flange in accordance with 125# American std.
  6. Conduit box is located on the opposite side of the motor shown.
- Dimensions are not specified as they vary with each motor manufacturer.

**THIS PAGE LEFT INTENTIONALLY BLANK**

# AURORA FIRE PUMPS

## VERTICAL JOCKEY PUMPS

### B, D, F AND J SERIES



MODEL	"A"
B5015	34
B7520	39
B10025	45
D7512	35
D10015	40
D15021	46
F15012	38
F20016	50
F30021	67
J3008	51
J50013	58

DROP PIPE AND DISCHARGE SIZE: SERIES B, D, AND F IS 1-1/4 NPT  
SERIES J IS 1-1/2 NPT